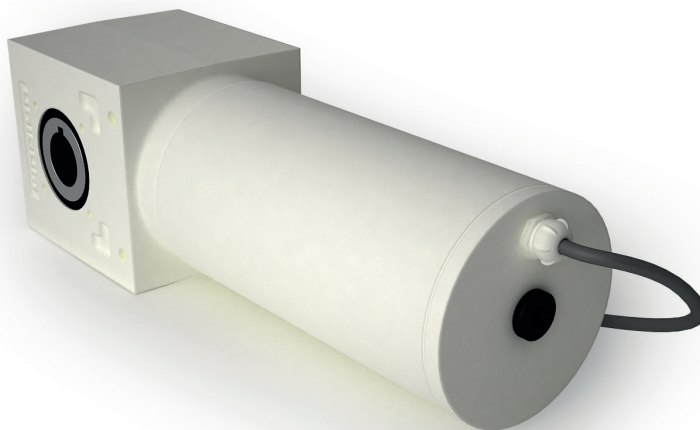



DL Series



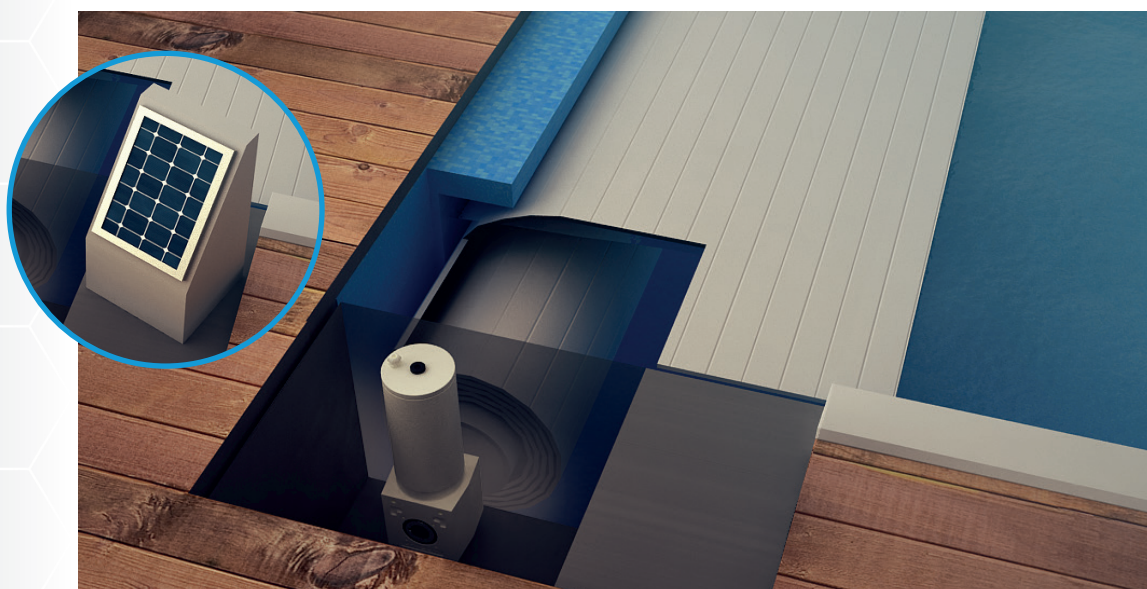
Features & Benefits

- IP68 motor gearboxes designed for occasional immersion 
- Aluminum and PVC housing
- Static holding brake for maintaining the cover in position when stopped - CPS patent
- Mechanical limit switches, insensitive to parasitic currents - MLS patent
- 316L stainless steel shaft with hollow shaft fixings
- Screw for emergency drive with battery screwdriver in case of power failure
- 1.5 m power cable as standard. Other lengths on request

Power Supply

- Programming of the internal limit switches by a simple switch; permanent storage of configuration data (without battery). Electrical control boxes common and compatible with the other UNICUM tubular motors
- IP55 220V 24V control box with motor drive, limit switches setup, relay for electrolysis regulation
- Available in mains supply or low voltage version (solar compatible)

CUBIC
HOUSING
WITH
HOLLOW
SHAFT



Patents & Features



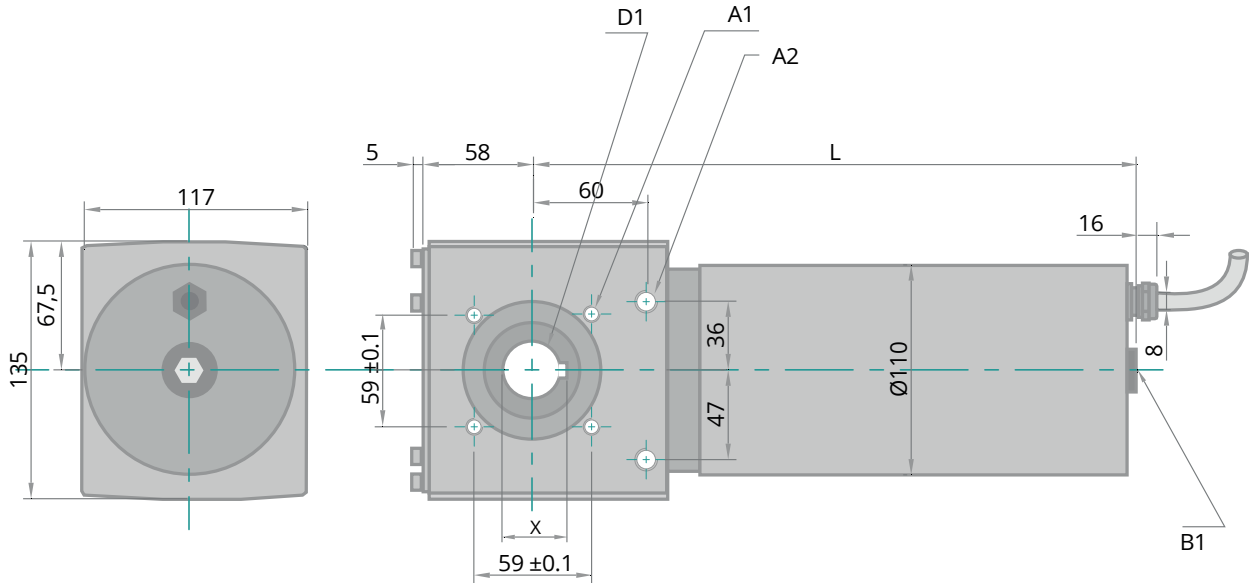
Dimensional drawing

D1 Ø30.1 for DL1310 and DL3010 + keyway width 8.1
 Ø30.1 for DL6010 + keyway width 8.1
 Ø40.1 with option for DL6010 + keyway width 12.1
 Ø30.1 for DL7710 + keyway width 8.1
 Ø40.1 with option for DL7710 + keyway width 12.1

A1 On each side: 4 threaded holes M8 depth 15

A2 On each side: 2 threaded holes M10 deep 1

L DL1310 : L= 293 DL6010 : L= 325
 DL3010 : L= 303 DL7710 : L= 423



X 33.3 for DL1310 and DL3010
 33.3 for DL6010 and DL7710 Ø30.1
 42.2 for DL6010 and DL7710 option Ø40.1

B1 Screw cap for emergency drive by battery drill
 - H M4 (7/flat key) for DL1310
 - H M5 (8/flat key) for DL3010, DL6010, DL7710

Technical data

		DL1310		DL3010	DL6010	DL7710
		⚡	☀	⚡	⚡	⚡
Output torque	Nm	120	120	250	500	900
Rotation speed	Rpm	4	4	4	3	3
Current	A	5	10	9	13	15
Supply voltage	V DC	24	12	24	24	24
Power supply Réf.	AN1030			●		
	AN1040				●	●
	AN1072	●				
	UMCP1000		●			
Nominal supply current	A	5	-	10	15	15
Solar pannel powered compatible	-		●			
Waterproofing: IP55 during operation	-	●	●	●	●	●
Watertight: IP68 when stationary	-	●	●	●	●	●
Mechanical Limit Switch	MLS	●	●	●	●	●
Constant Positioning System	CPS	●	●	●	●	●
Emergency drive	-	●	●	●	●	●