

CUBIC HOLLOW SHAFT

APPLICATIONS



DL Series



Features & Benefits

- IP68 motor gearboxes designed for occasional immersion
- Aluminum and PVC housing
- Static holding brake to maintain the cover in position when stopped - CPS patent
- Mechanical limit switches, insensitive to parasitic currents - MLS patent
- 316L stainless steel shaft with hollow shaft fixings
- Screw for emergency drive with battery screwdriver in case of power failure
- 1.5 m power cable as standard

Power Supply

- Automatic control panel, with limit switch setting and other enhanced functions for cover management: UNIBOX controllers (see specific page)
- Conversion from 230V AC to 24V DC - CE, UKCA and UL certification
- All motorgearbox technical data must be intended as valid only when the motor is powered with the recommended UNIBOX controller



Patents & Features



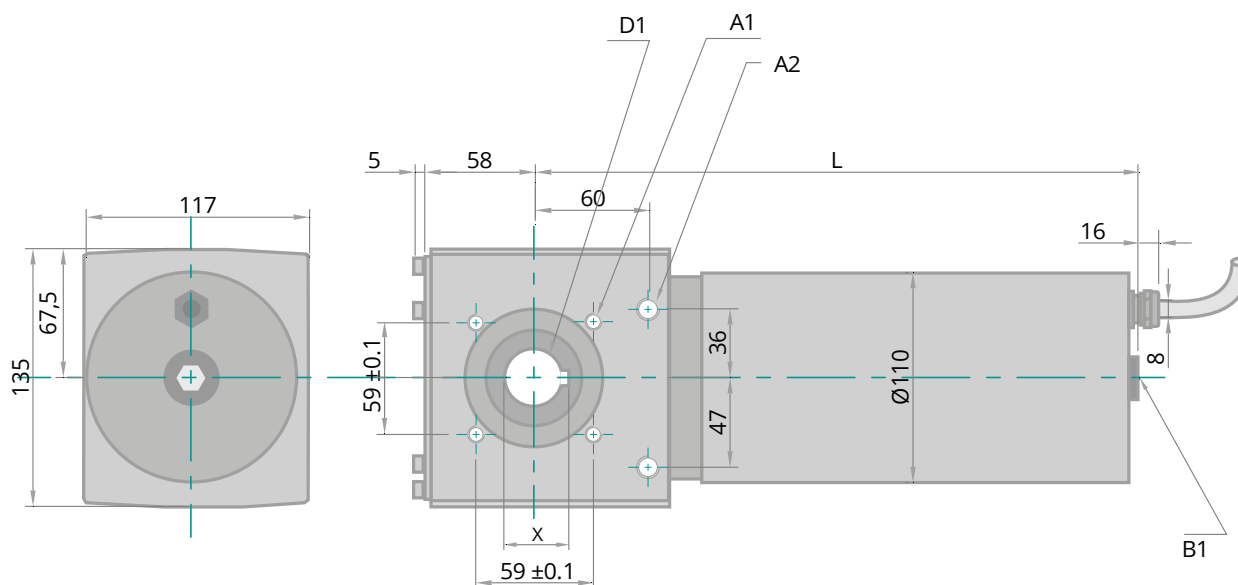
Dimensional drawing

D1 Ø30.1 for DL1310 and DL3010 + keyway width 8.1
 Ø30.1 for DL6010 + keyway width 8.1
 Ø40.1 with option for DL6010 + keyway width 12.1
 Ø30.1 for DL7710 + keyway width 8.1
 Ø40.1 with option for DL7710 + keyway width 12.1

A1 On each side: 4 threaded holes M8 depth 15

A2 On each side: 2 threaded holes M10 deep 1

L DL 1310 : L = 293 DL 3010 : L = 303
 DL 6010 : L=369,5 DL 7710 : L= 414,5



X 33.3 for DL1310 and DL3010
 33.3 for DL6010 and DL7710 Ø30.1
 42.2 for DL6010 and DL7710 option Ø40.1

B1 Screw cap for emergency drive by battery drill
 - H M4 (7/flat key) for DL1310
 - H M5 (8/flat key) for DL3010, DL6010, DL7710

Technical data

| | | DL1310 | DL3010 | DL6010 | DL7710 |
|--------------------------------------|------------|--------|--------|--------|--------|
| Output torque | Nm | 120 | 250 | 500 | 900 |
| Rotation speed | tr/mn | 4 | 4 | 3 | 2 |
| Current | A | 5 | 9 | 13 | 15 |
| Supply voltage | V DC | 24 | 24 | 24 | 24 |
| Power supply Ref. | UNIBox 120 | ● | | | |
| | UNIBox 250 | | ● | | |
| | UNIBox 450 | | | ● | ● |
| Waterproofing: IP55 during operation | - | ● | ● | ● | ● |
| Watertight: IP68 when stationary | - | ● | ● | ● | ● |
| Mechanical Limit Switch | MLS | ● | ● | ● | ● |
| Constant Positioning System | CPS | ● | ● | ● | ● |
| Emergency drive | - | ● | ● | | |