

TUBULAR ABOVE- GROUND

APPLICATIONS

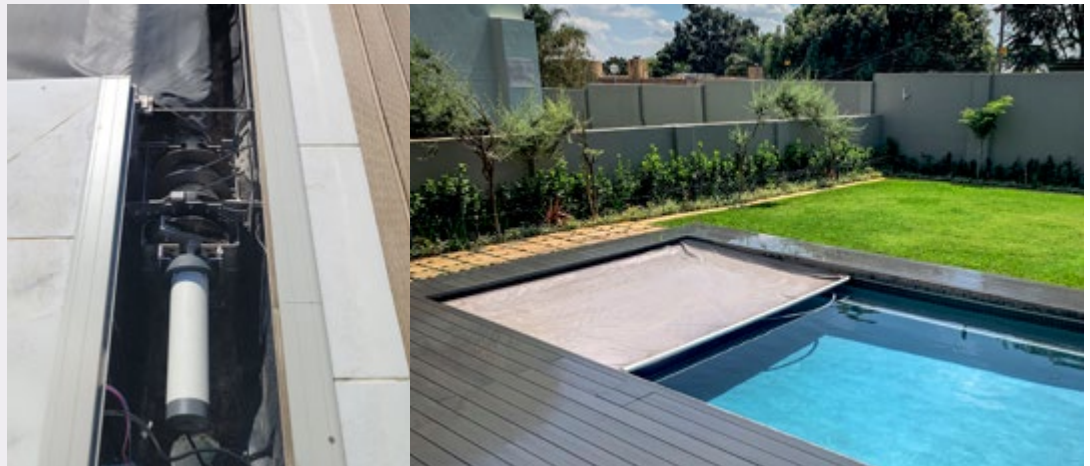


UNIMot APC



Features & benefits

- 24V DC motor complying with electrical safety standards for swimming pools
- Compact, powerful, fast and silent motor
- Quick and easy to install
- IP68 protection for long service life
- PVC outer casing
- Mounting flanges and coupling customized for each customer
- Suitable for security covers up to 80 m²
- Several choices of management box



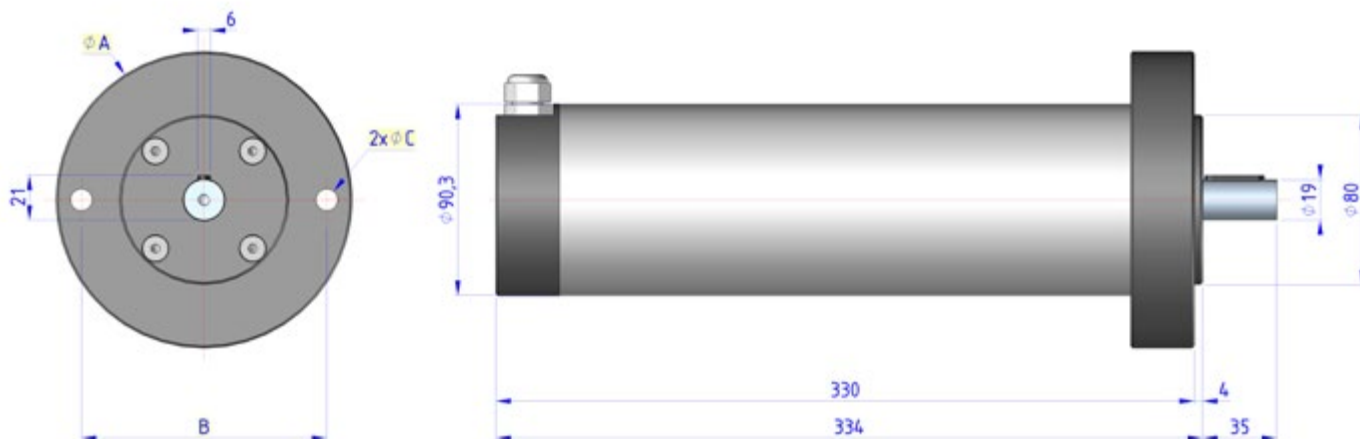
Patents and features

IP68

Technical data

	UNIMot APC	
Output torque	<i>Nm</i>	120
Rotation speed (under load)	<i>tr/mn</i>	20
Rated Current	<i>A</i>	12
Max. current	<i>A</i>	20
Supply voltage	<i>V DC</i>	24
Waterproofing		IP68

Gearmotor dimensional drawing



UNIMot APC electronic controllers

Two options are available to suit different budgets and different installation configurations.

► UNIBOX 450 APC

This is a specific software version developed on the UNIBOX 450 hardware to control this type of cover. This box is designed for installation in the pool house.

This is a Premium version that offers the following functions:

- Limit switch control either by external sensor or amperometric control
- Power «boosted» to 20A to enable the motor to reach a maximum torque of 200 Nm
- Operating mode configurable as either «man present» or «pulse» mode.
- Stop on obstacle in case of cover jamming
- Safety loop for emergency stop
- Two auxiliary relays for managing the electrolyser, or filtration pump
- Display with diagnostics and alarms
- Option of using a plug-in radio or Bluetooth receiver to control the cover



► UNIMOT APC LIGHT CONTROLLER

This **control board** can be installed close to the motor and offers basic functions such as limit switch control using an external sensor or amperometric control.

It must be supplied by an AC/DC converter of suitable power.



► AC/DC CONVERTER SWITCHING 600W

Switched-mode power supply capable of supplying a stabilized voltage of 24 V DC and a maximum current of 20 A (600W max power). The source is CE, UKCE and UL approved.

