



PL7710 configuration on UNIBox 450VA



Important instructions

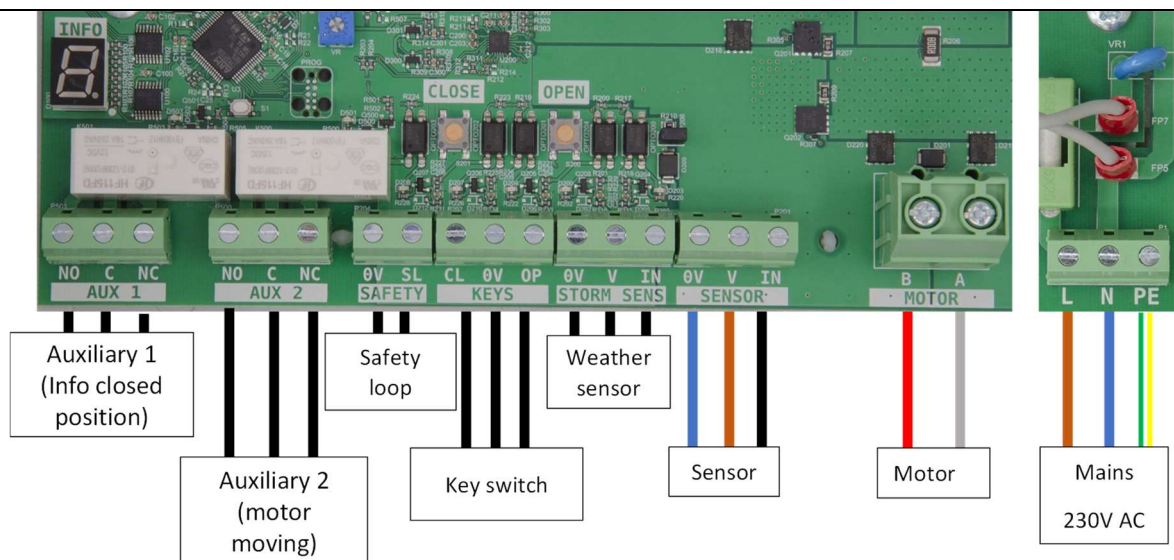
This manual does not replace UNIBOX 250/450 installation and user manual which must be read and understood beforehand. PL7710 motor is equipped with an inductive sensor and an electromagnetic brake needing a special configuration on UNIBOX 450 to work properly. This is explained in this quick reference guide.

All safety instructions and general installation information are contained in UNIBOX 250/450 user guide.

Electrical connections

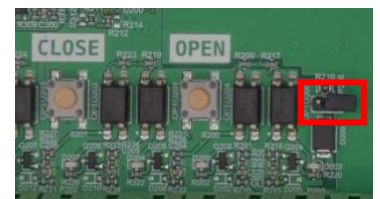
WARNING

All connections must be done with the power turned off.



PNP inductive sensor configuration

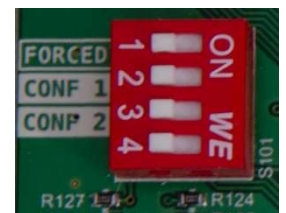
The UNIBOX 250/450 box can read PNP inductive sensor as the one equipped in PL7710; In this case, in addition to connecting cables as shown above, it is necessary to close the bridge by connecting the two pins on the P205 connector on the board, using the jumper as in the picture aside.



Electromagnetic brake configuration

Electromagnetic brake induces important peak of current when motor starts; in order to allow this specific behaviour of the board, CONF 2 dip switch must set and kept to ON.

After all this hardware configuration, user can switch on the board and program the board as described in UNIBOX 250/450 Installation and user guide.





DL7710 configuration on UNIBox 450VA



Important instructions

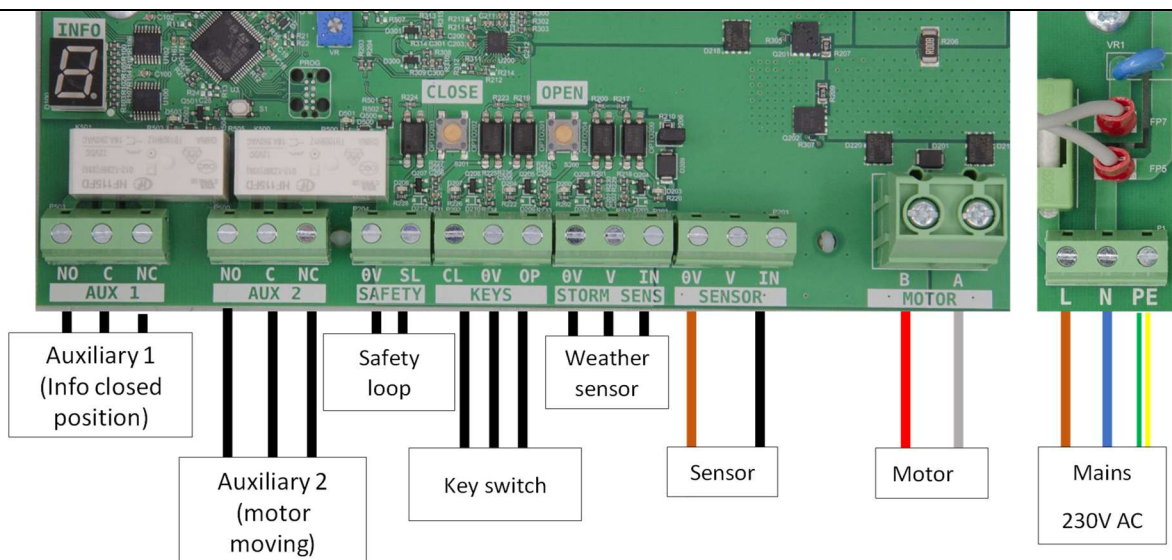
This manual does not replace UNIBOX 250/450 installation and user manual which must be read and understood beforehand. PL7710 motor is equipped with an inductive sensor and an electromagnetic brake needing a special configuration on UNIBOX 450 to work properly. This is explained in this quick reference guide.

All safety instructions and general installation information are contained in UNIBOX 250/450 user guide.

Electrical connections

WARNING

All connections must be done with the power turned off.



Electromagnetic brake configuration

Electromagnetic brake induces important peak of current when motor starts; in order to allow this specific behaviour of the board, CONF 2 dip switch must set and kept to ON.

After all this hardware configuration, user can switch on the board and program the board as described in UNIBOX 250/450 Installation and user guide.

